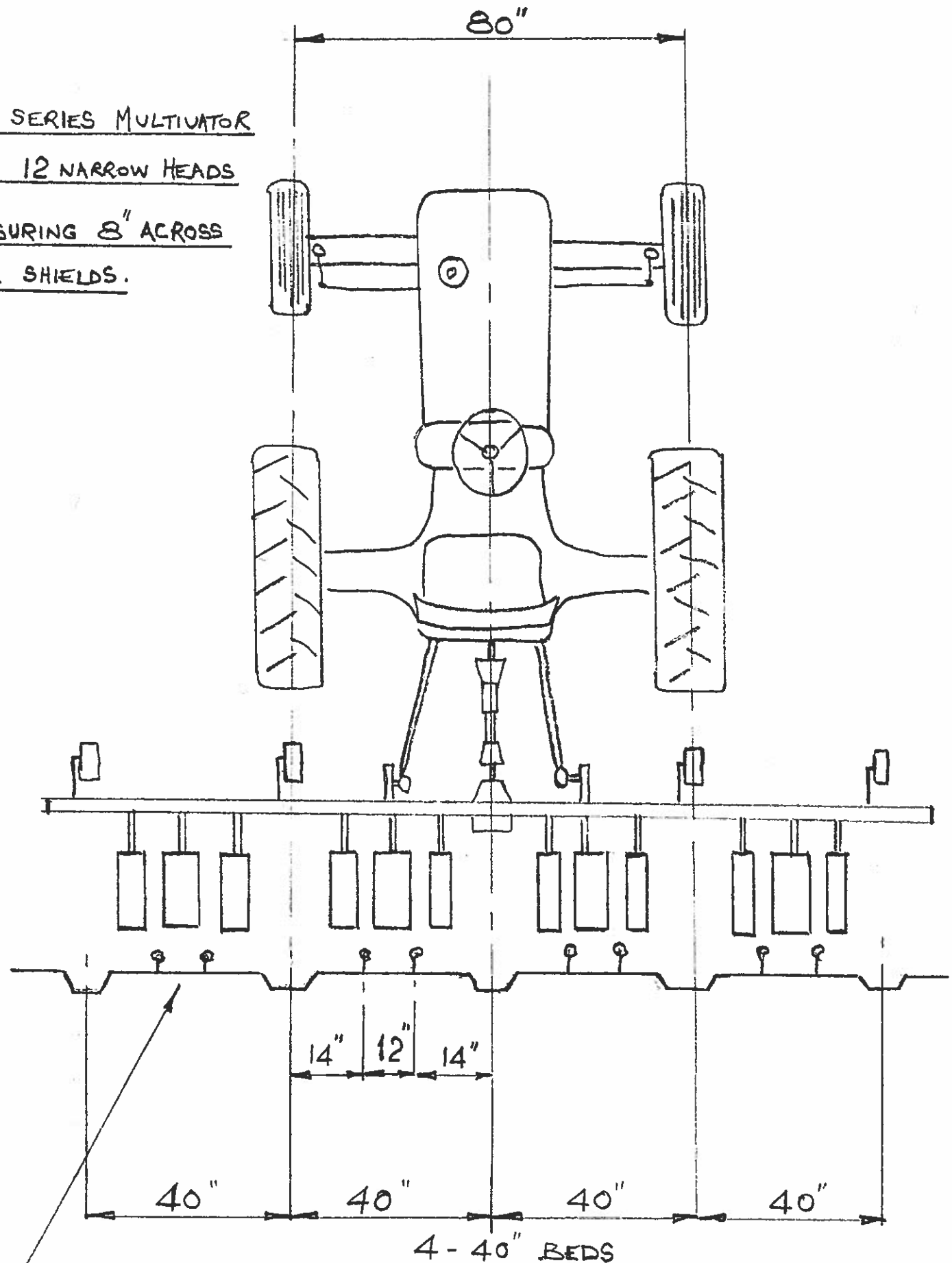


F SERIES MULTIVATOR

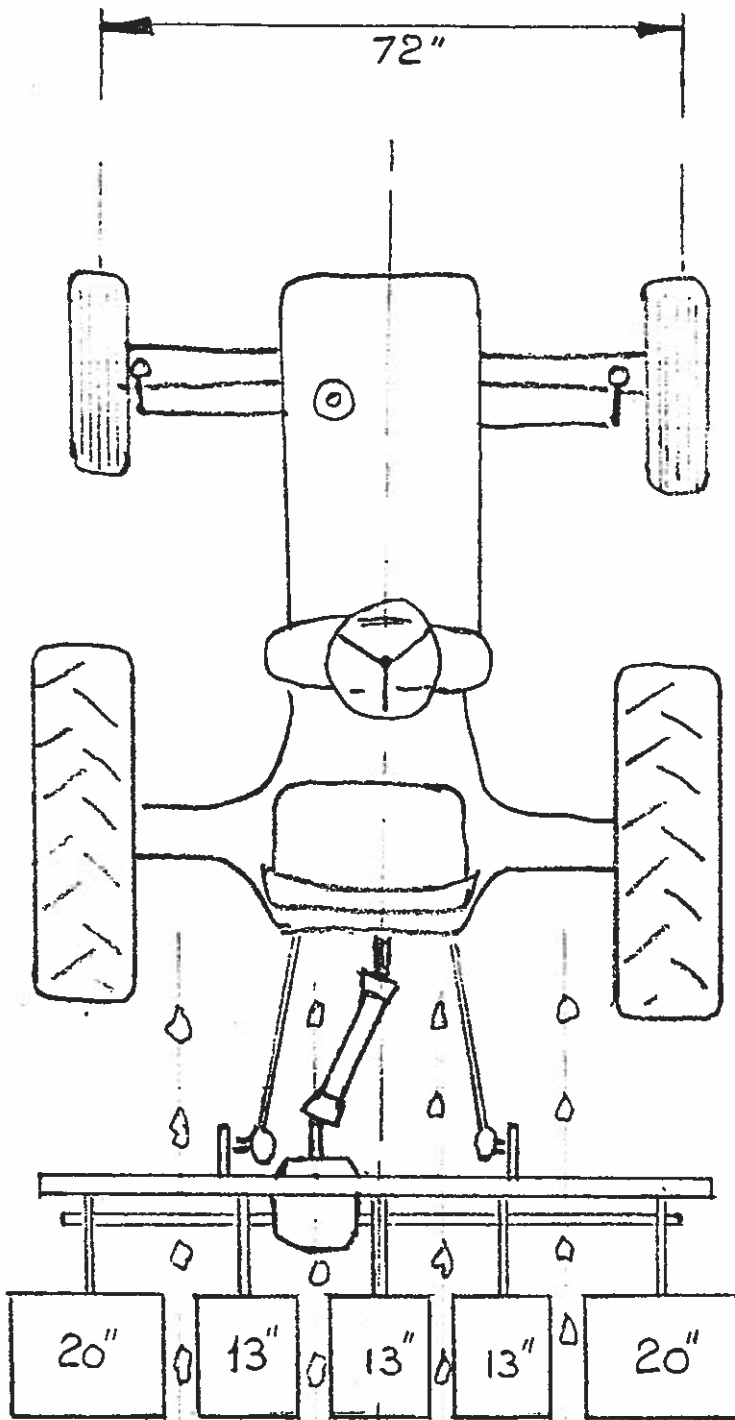
WITH 12 NARROW HEADS

MEASURING 8" ACROSS

THE SHIELDS.



2 ROWS PER BED 12" APART.



FL, FP & FPSR
MULTIVATORS WILL
ADJUST & FIT TO
THIS APPLICATION.

4 x 16" ROWS

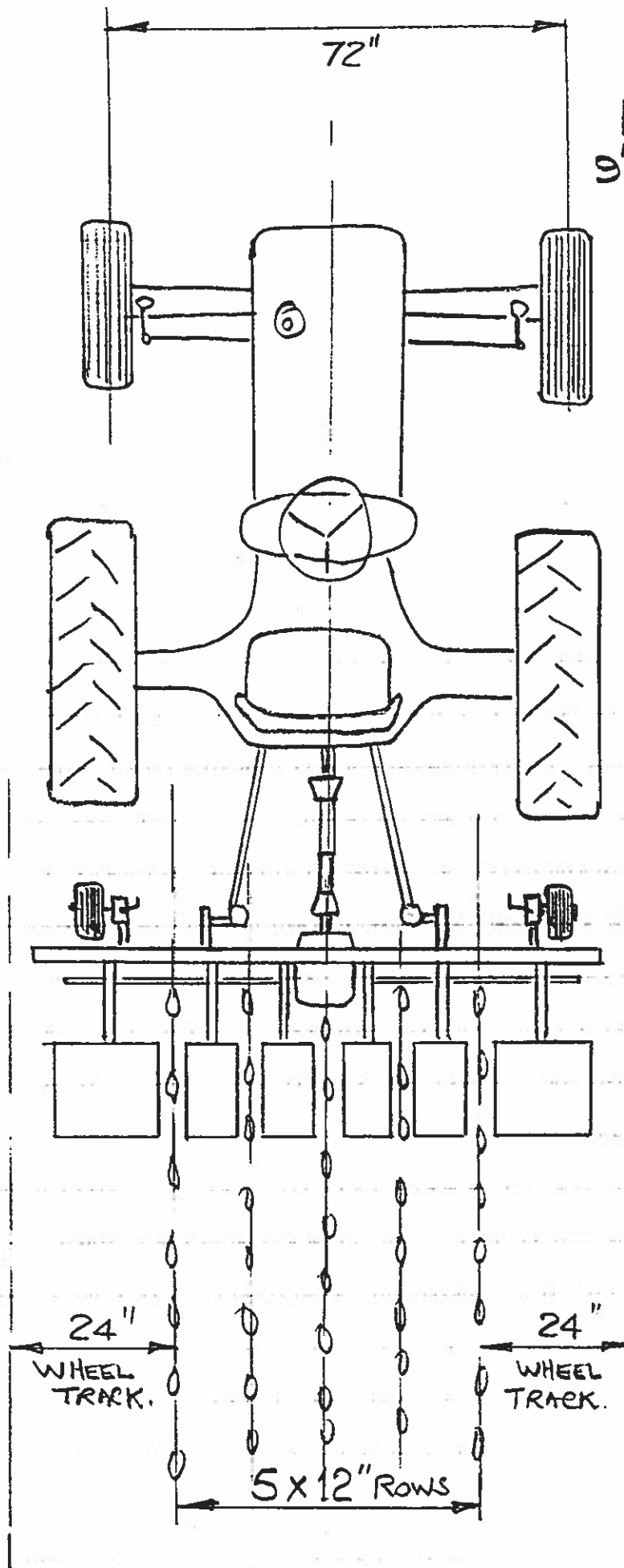
24" TRACK

24" TRACK

4 x 16" ROWS

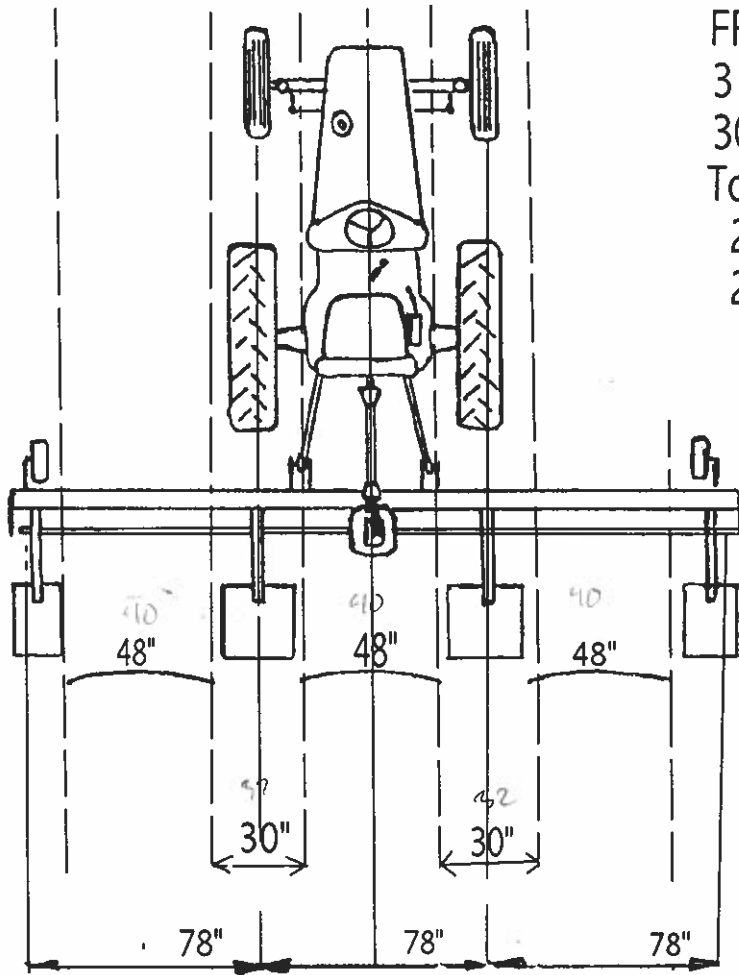
MUSTARD
TURNIPS
COLLARDS
KALE
SPINACH

4 x 16" ROWS

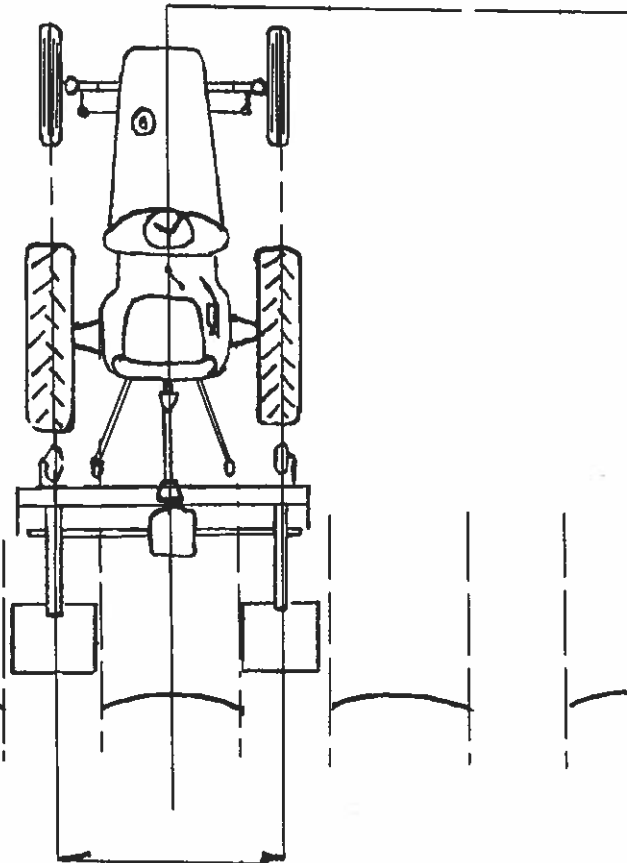


FP 90 WITH 4
9" EXTRA NARROW HEADS
AND 2 NARROW
12"-16" HEADS
FOR 5 ROW
SPINACH CULTIVATION.

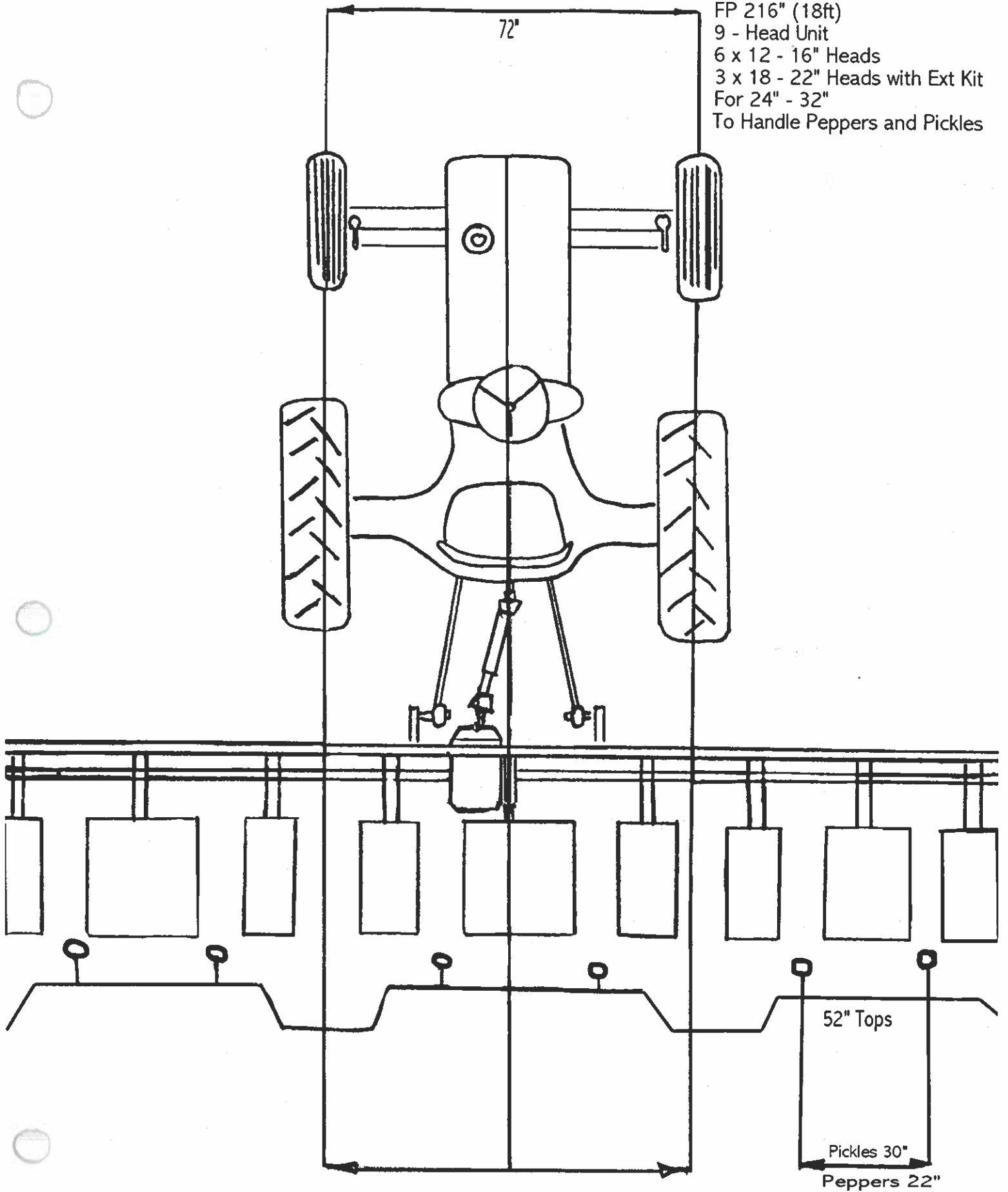
FP 240" Multivator
3 Row Model - Cultivating
30" Traffic Alleys in
Tomatoes under 48" plastic
2 - Medium 18" Heads
2 - Large 30" Heads

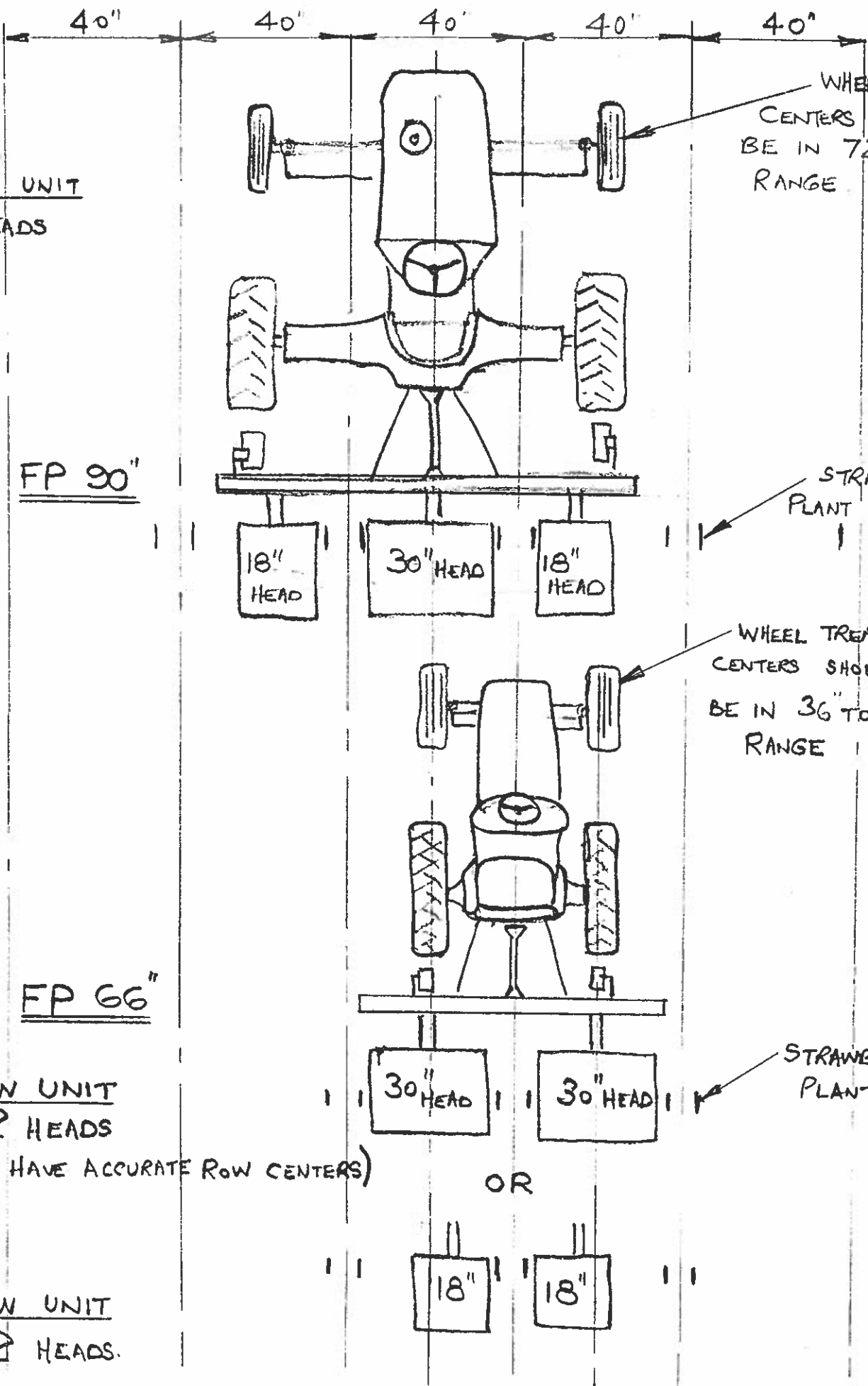


FP 90" Multivator with 2 Large 30" Heads.
2 Row Model Cultivating tomatoes as above.
The same unit can be used for Cultivating
pumpkins on 68" centers as a 1 row model.



FP 216" (18ft)
9 - Head Unit
6 x 12 - 16" Heads
3 x 18 - 22" Heads with Ext Kit
For 24" - 32"
To Handle Peppers and Pickles





2 ROW UNIT
3 HEADS

FP 90"

FP 66"

2 ROW UNIT
2 HEADS
(MUST HAVE ACCURATE ROW CENTERS)

OR

1 ROW UNIT
2 HEADS

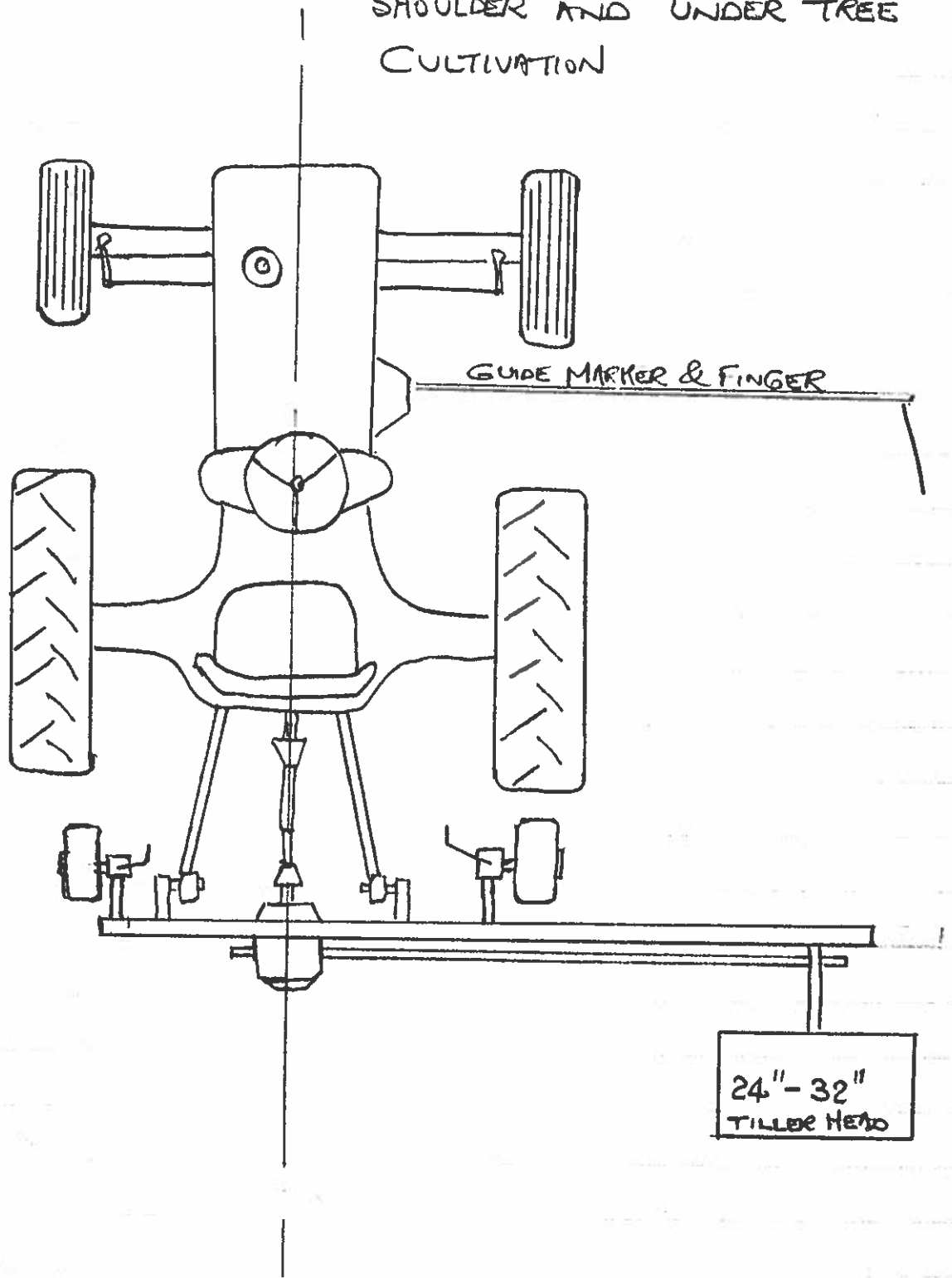
WHEEL TREAD
CENTERS SHOULD
BE IN 72" TO 80"
RANGE

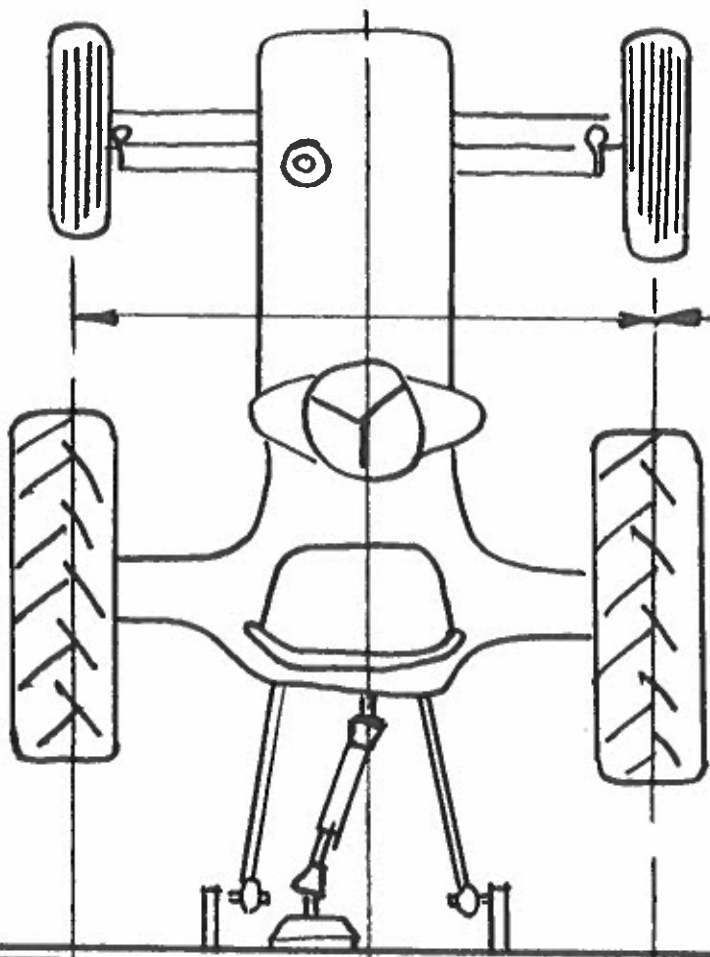
STRAWBERRY
PLANT WIDTH 12"
||
||

WHEEL TREAD
CENTERS SHOULD
BE IN 36" TO 44"
RANGE

STRAWBERRY
PLANT WIDTH

'FP' OR 'FPSR' SERIES MULTIVATOR
WITH OFFSET TOOLBAR AND
SINGLE TILLER FOR HIGHWAY
SHOULDER AND UNDER TREE
CULTIVATION



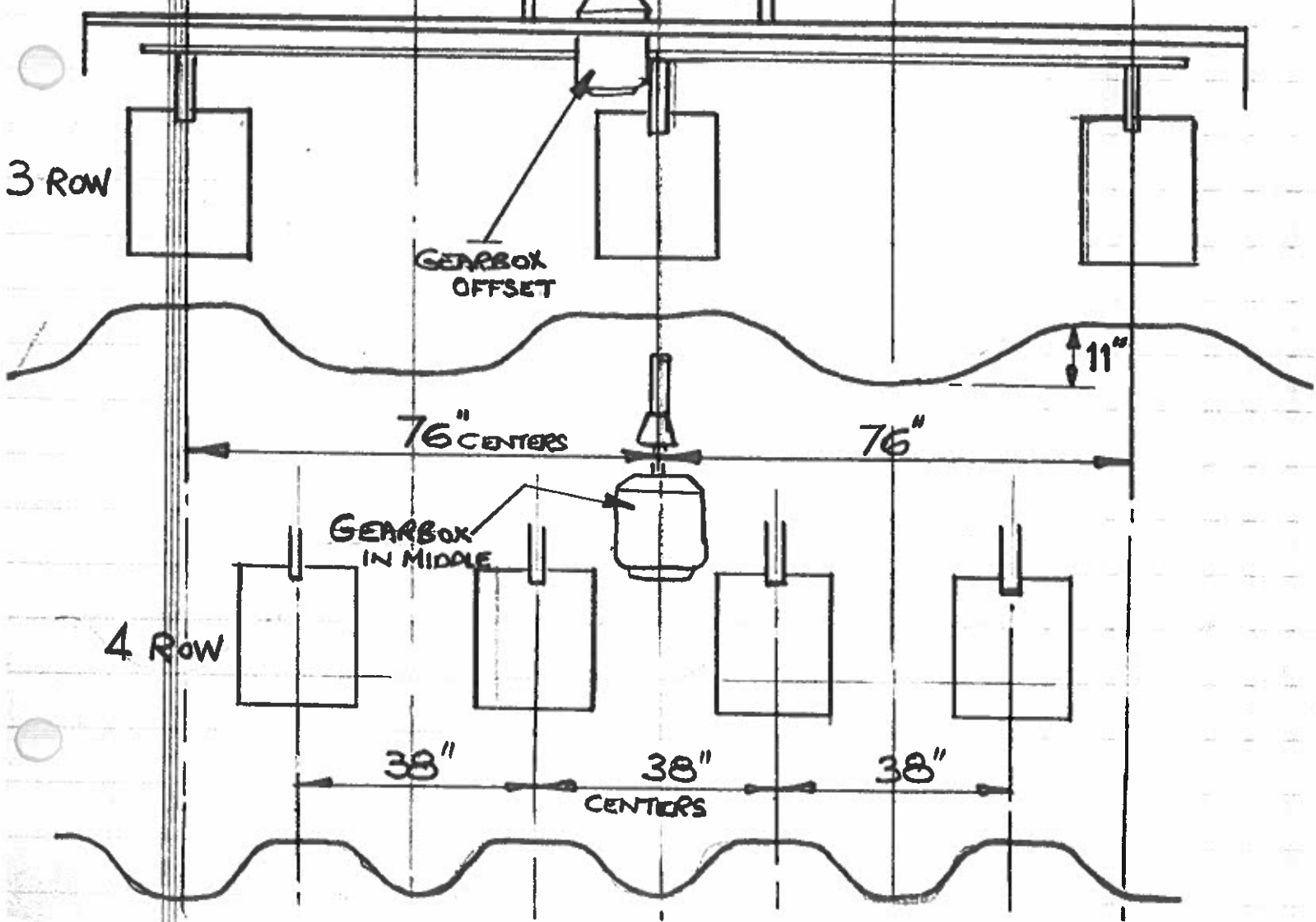


SNOW FEAS.

80" TREAD CENTERS.

FP OR FPSR
180" WITH 12"-16"
NARROW HEADS.

MIN FRAME SIZE 160'



3 Row

GEARBOX
OFFSET

11"

76" CENTERS

76"

GEARBOX
IN MIDDLE

4 Row

38"

38"

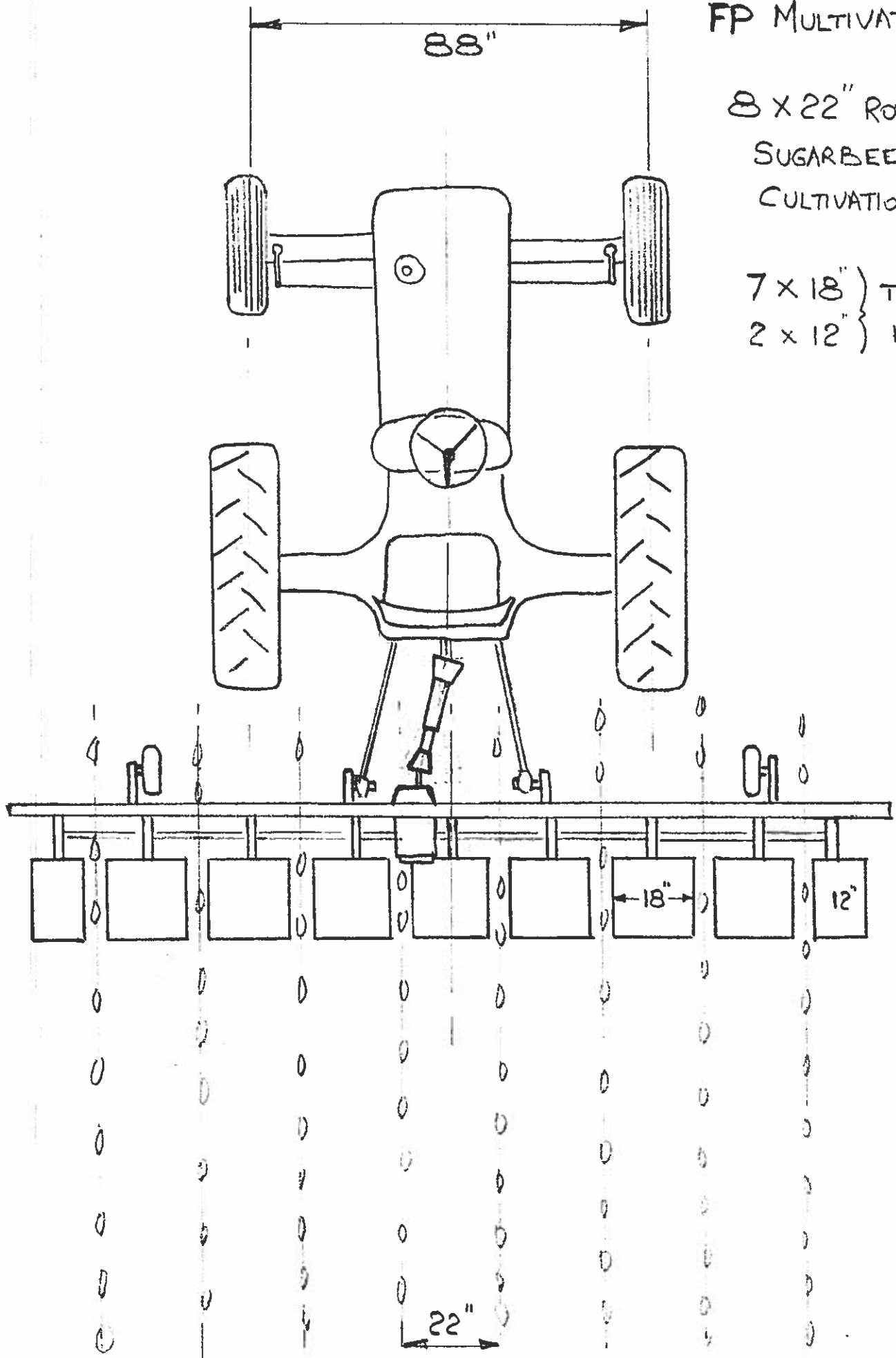
38"

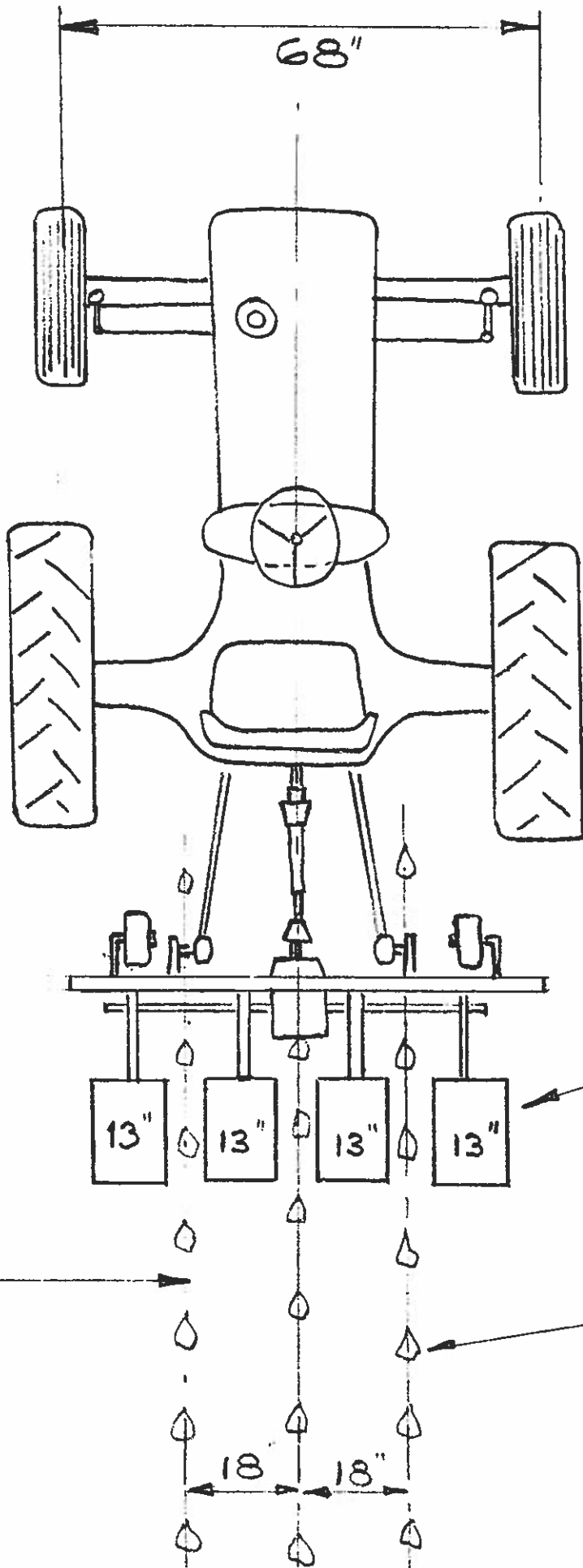
CENTERS

FP MULTIVATOR

8 x 22" ROWS
SUGARBEET
CULTIVATION.

7 x 18" } TILLER
2 x 12" } HEADS





FP 66" MULTIVATOR
WITH 4 NARROW HEADS
FOR CULTIVATING 3
ROWS OF ORIENTAL
VEGETABLES.

4 NARROW HEADS
SET AT 13" WIDTH.

4" PLANT WIDTH.

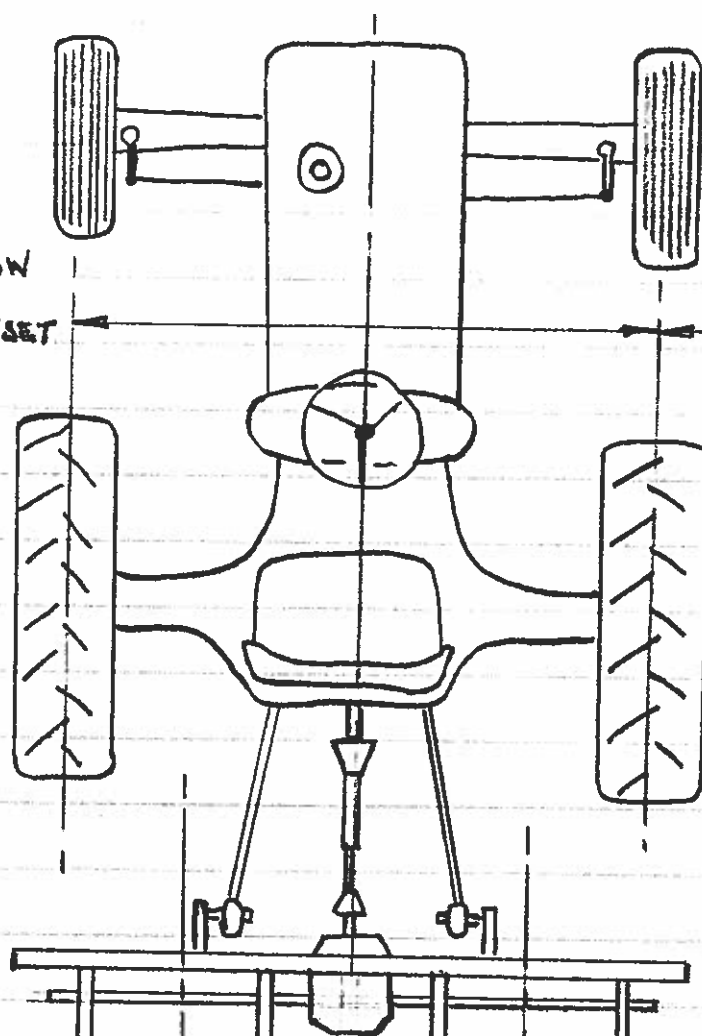
3 x 18" ROWS

18" 18"

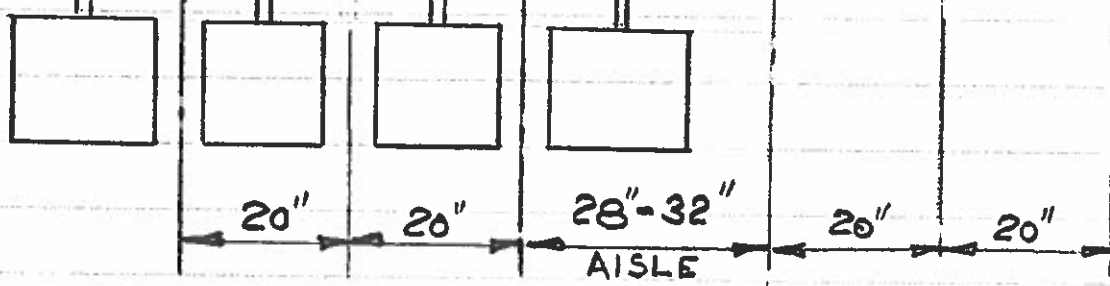
MULTIVATOR GEARBOX
IS CENTERED ON 3 ROW
SETUP AND IS OFFSET
ON 2 ROW & 4 ROW
SETTINGS.

'FL' MULTIVATOR
PERENNIAL FLOWER
APPLICATION

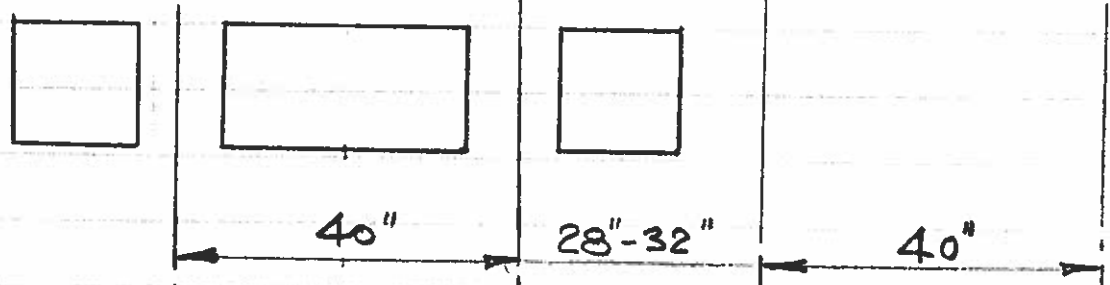
68"-72" TIRE
TREAD CENTERS.



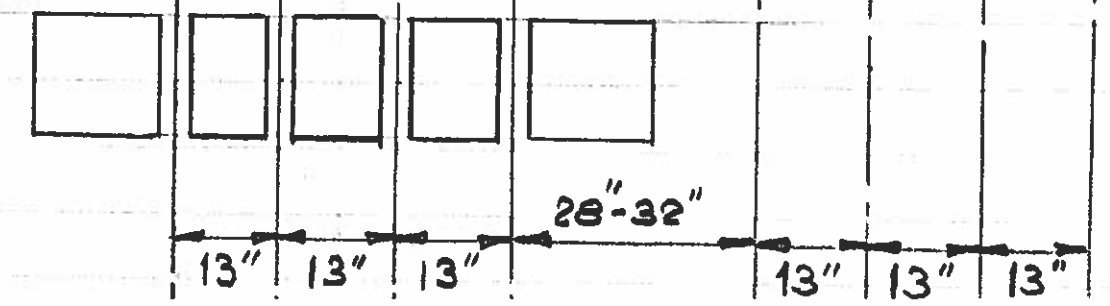
3 ROW 20" CENTERS



2 ROW 40" CENTERS

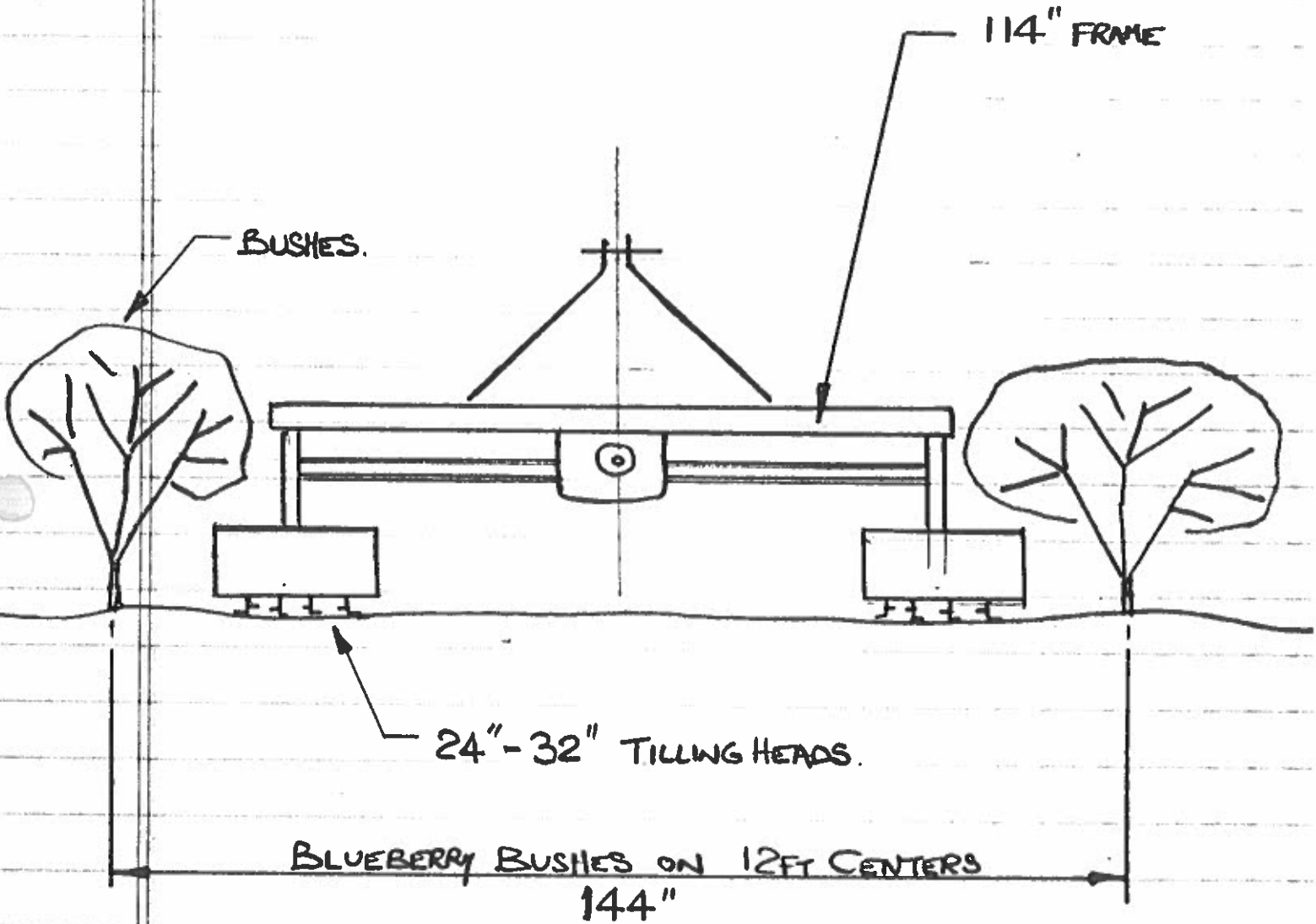


1 ROW 13" CENTERS

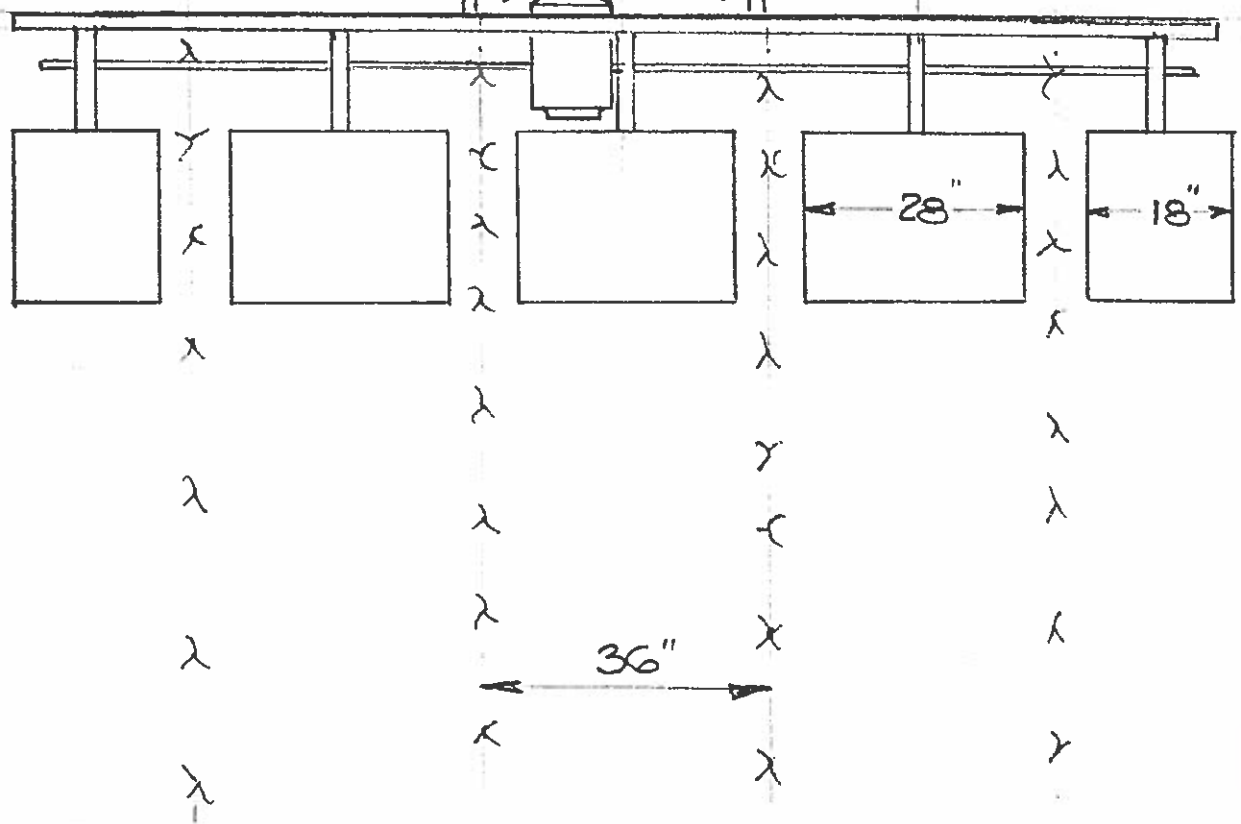
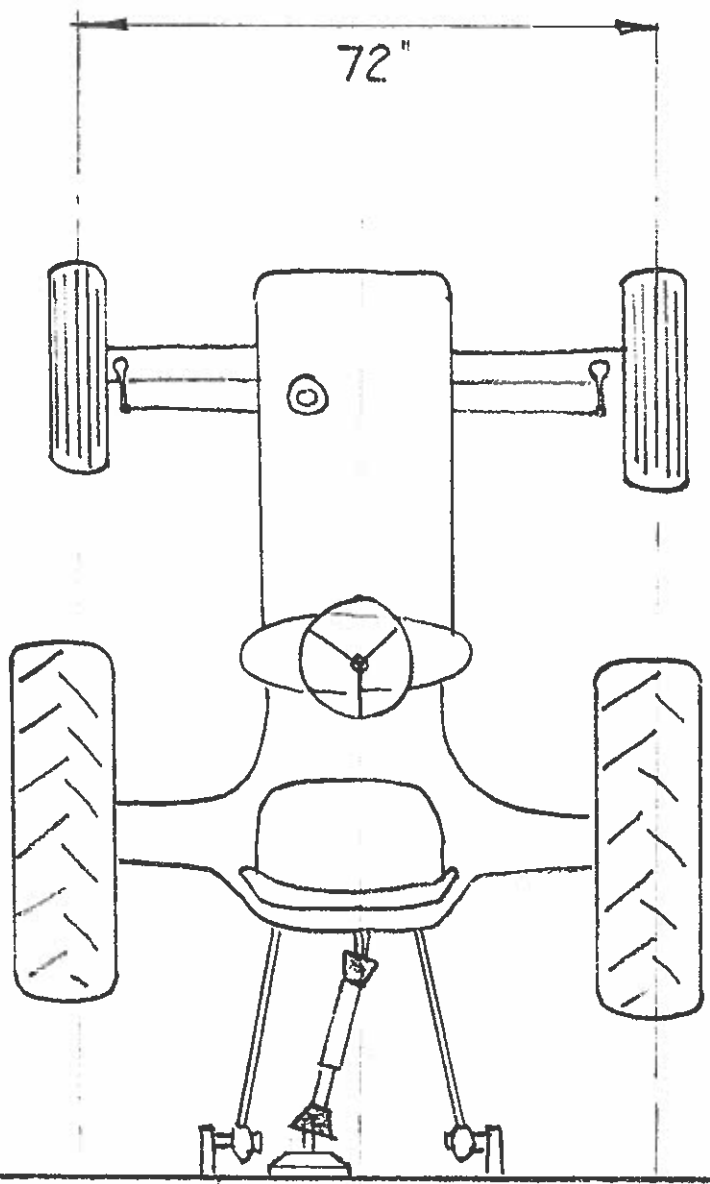


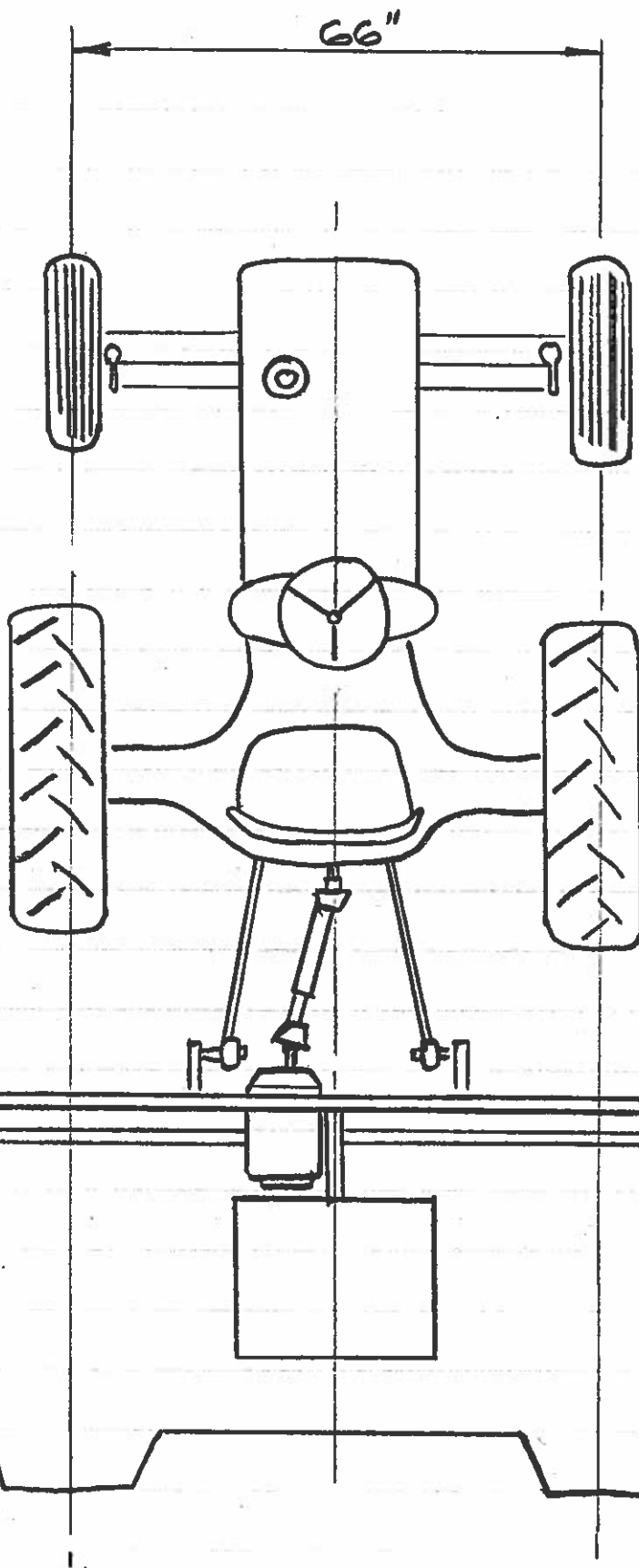
SHRUB & BLUEBERRY CULTIVATION.

WILL ADAPT TO ANY ROW CENTERS - FRAME LENGTH CAN BE ANY LENGTH TO SUIT.

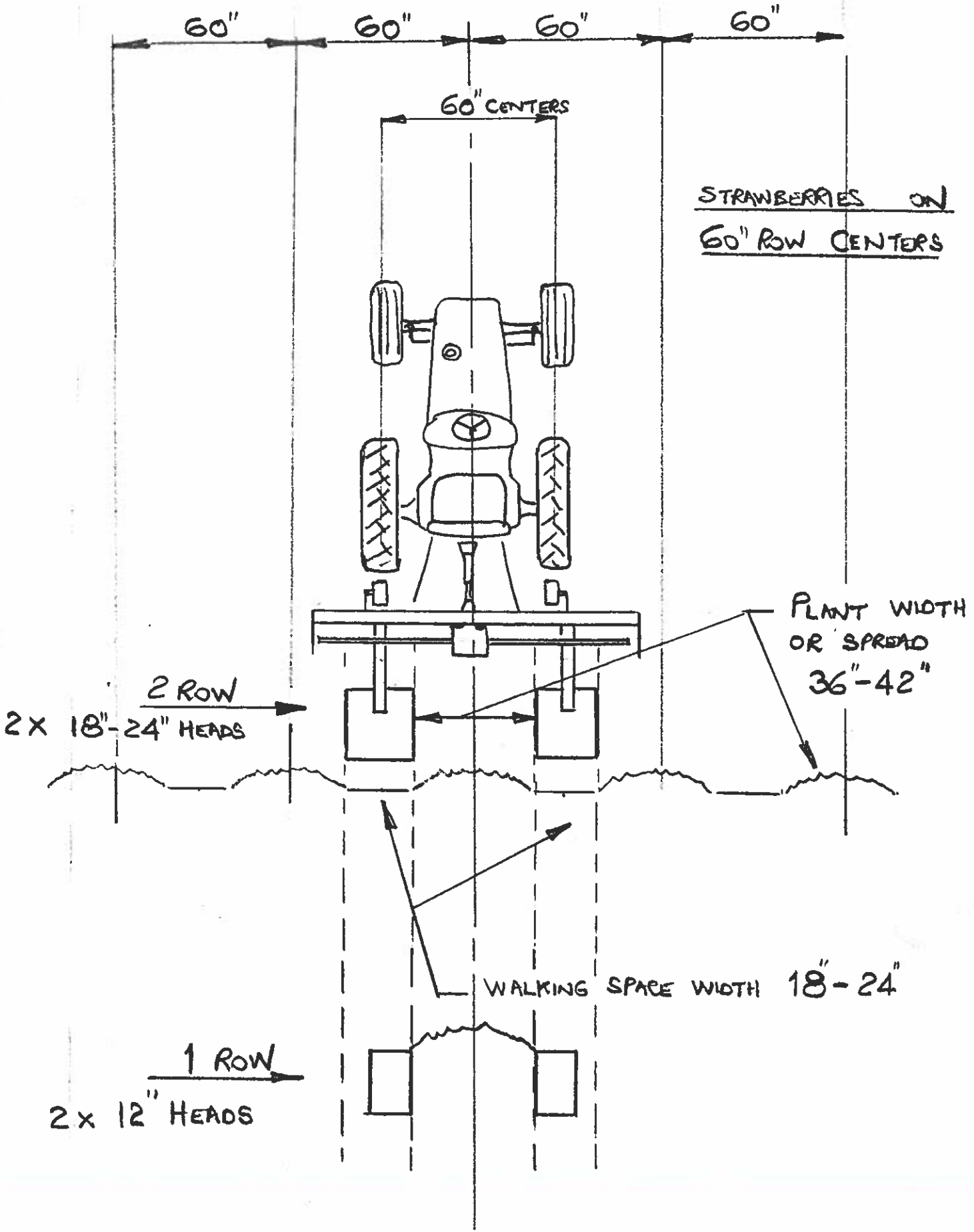


FP MULTIVATOR
 CULTIVATING
 4 X 36" ROWS
 SWEET CORN





FPSR 180"
MULTIVATOR
3-24" HEADS
AT 66" CENTERS
ON TOMATO BEDS.



STRAWBERRIES ON
60\" ROW CENTERS

2 ROW
2 X 18\"-24\" HEADS

PLANT WIDTH
OR SPREAD
36\"-42\"

WALKING SPACE WIDTH 18\"-24\"

1 ROW
2 X 12\" HEADS